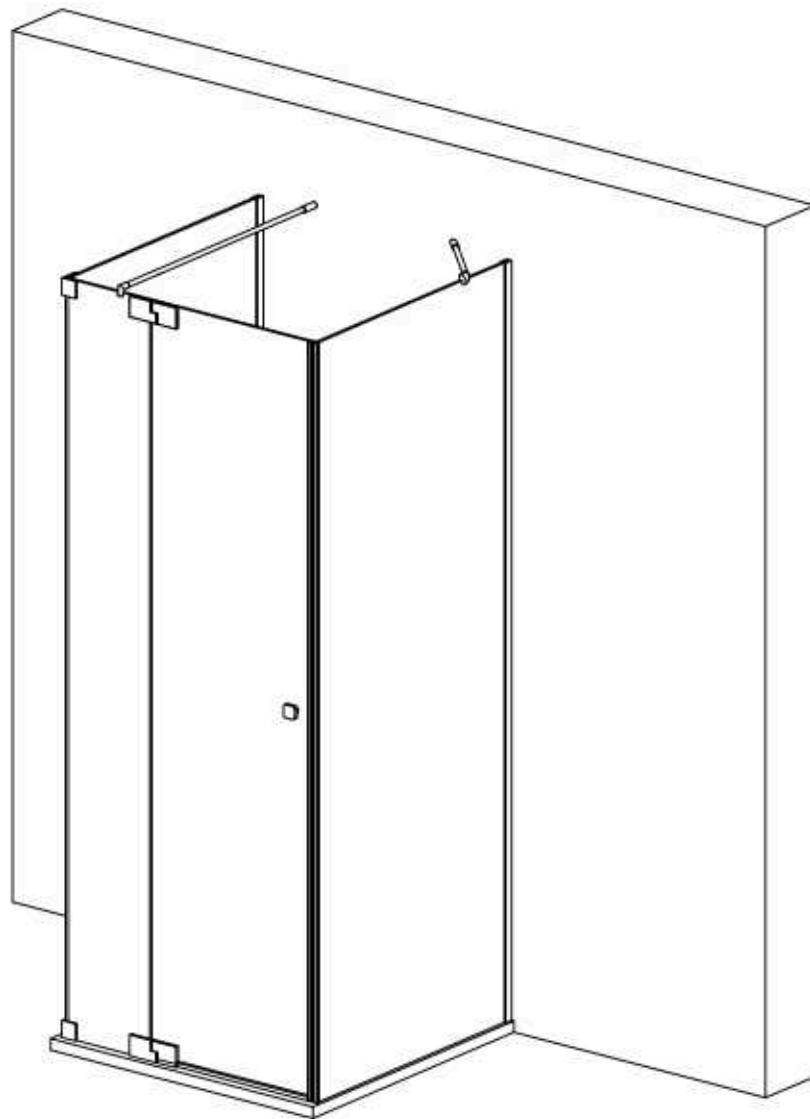


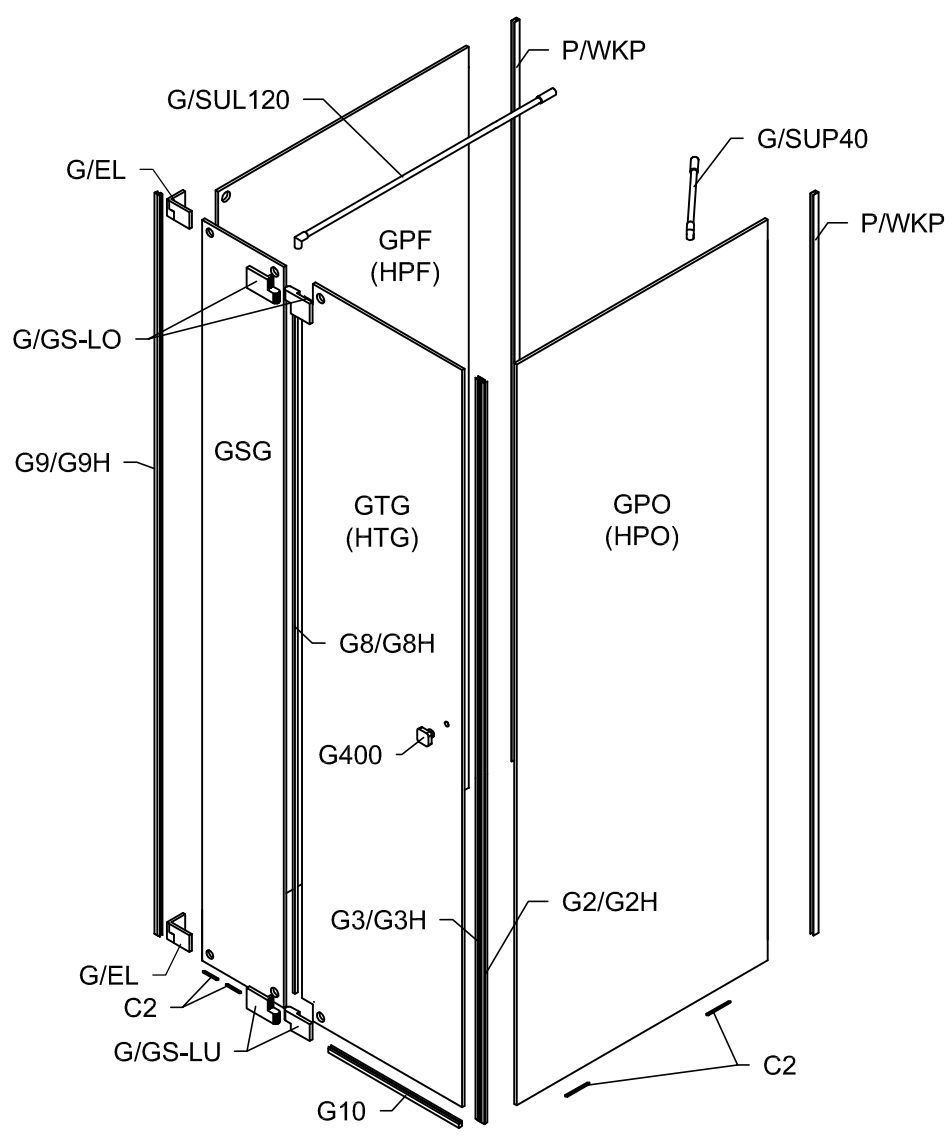
PGU2S, PHU2S, PGUXS, PHUXS, PMGU2S

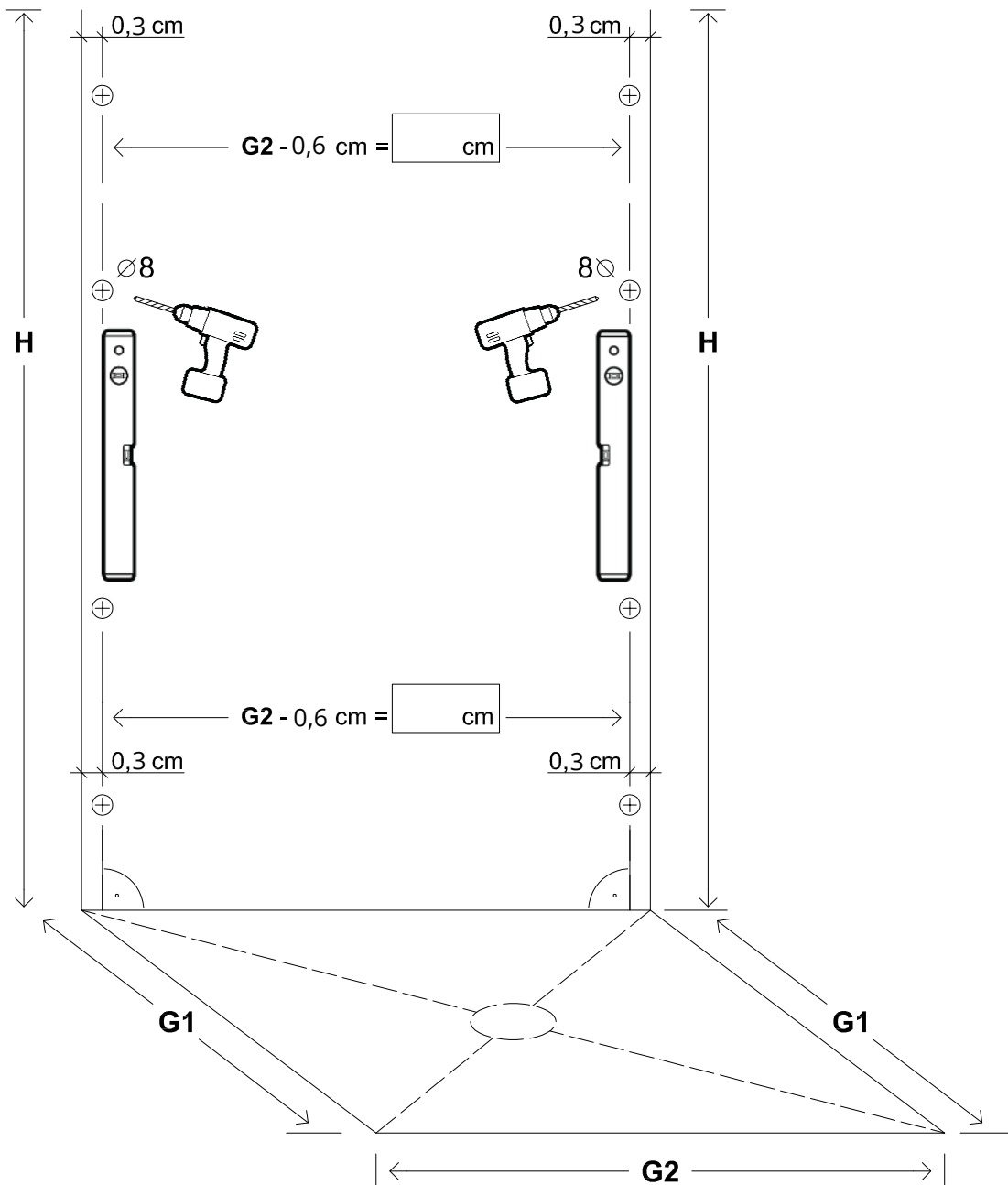
Montageanleitung  
Installation Manual



3-Seiten U-Duschkabine  
U-shaped shower enclosure  
Links / Left

|             |                                                                                   |            |                                                                                   |          |                                                                                   |                                                                                         |                                                                                         |                                                                                     |
|-------------|-----------------------------------------------------------------------------------|------------|-----------------------------------------------------------------------------------|----------|-----------------------------------------------------------------------------------|-----------------------------------------------------------------------------------------|-----------------------------------------------------------------------------------------|-------------------------------------------------------------------------------------|
| 1 x G/GS-LO |  | 1 x G2/G2H |  | 8 x G100 |  | 8 x  | 1 x G/SUP40                                                                             |  |
| 1 x G/GS-LU |  | 1 x G3/G3H |  | 8 x G300 |  | 8 x  | 1 x G/SUL120                                                                            |  |
| 2 x G/EL    |  | 1 x G8/G8H |  | 1 x G400 |  | 8 x  | 2 x  |                                                                                     |
| 2 x P/WKP   |  | 1 x G9/G9H |  | 8 x d    |  | 1 x  | 6 x C2                                                                                  |  |
|             |                                                                                   | 1 x G10    |  |          |                                                                                   | 1 x  |                                                                                         |                                                                                     |





Benutzen Sie das Wandprofil in Glashöhe zum anzeichnen der Bohrlöcher.  
Use the wall profile in height of glass to mark the drill holes.

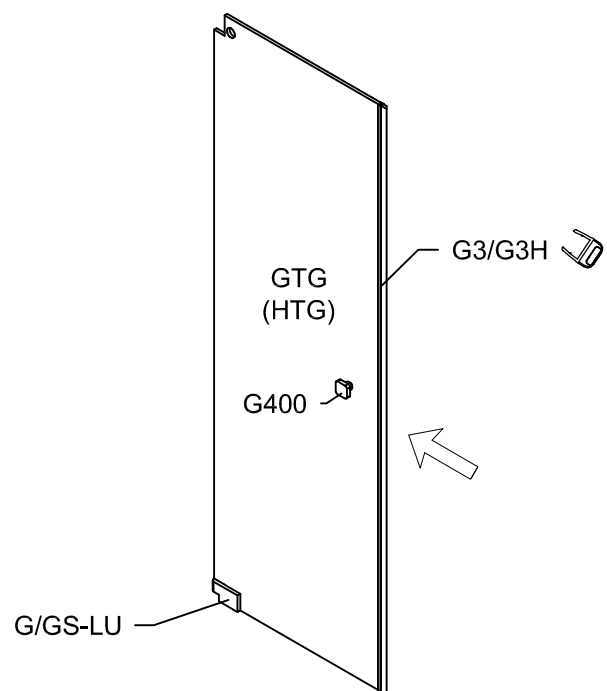
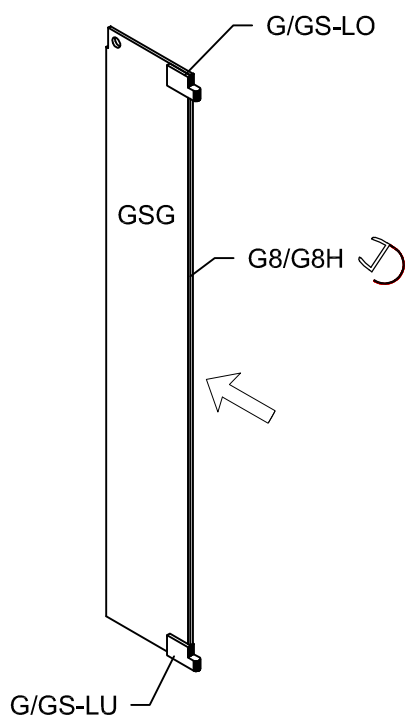
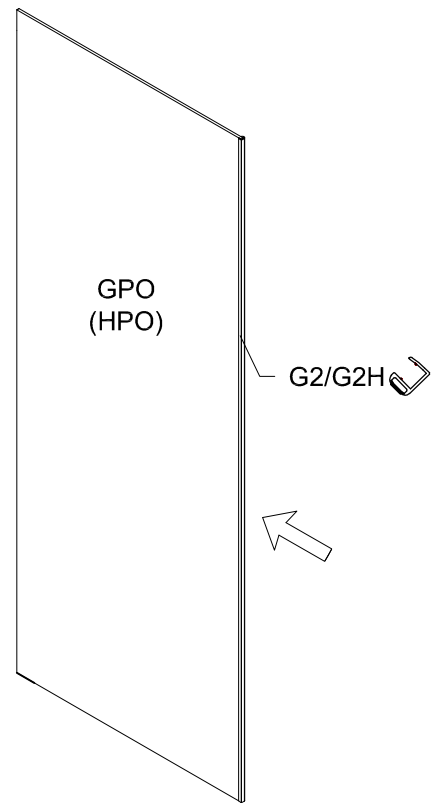
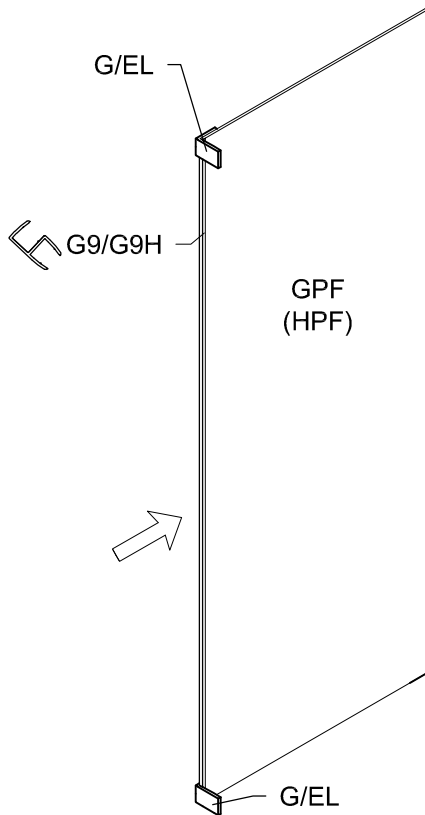
Diese Maße finden Sie in ihrem Auftrag:  
You find this measures in your order:

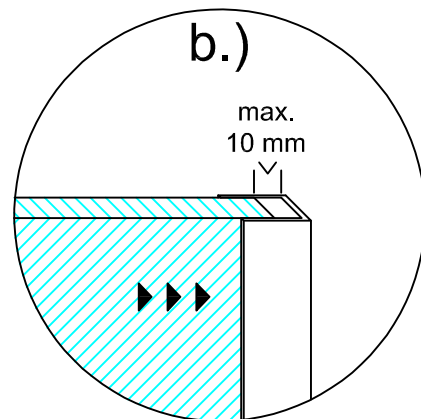
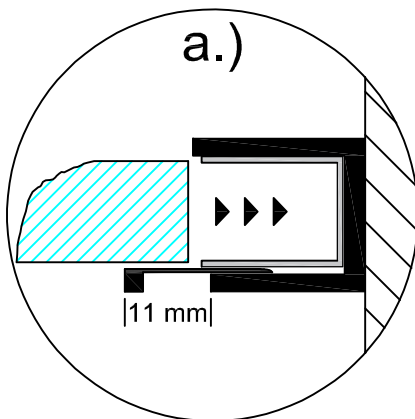
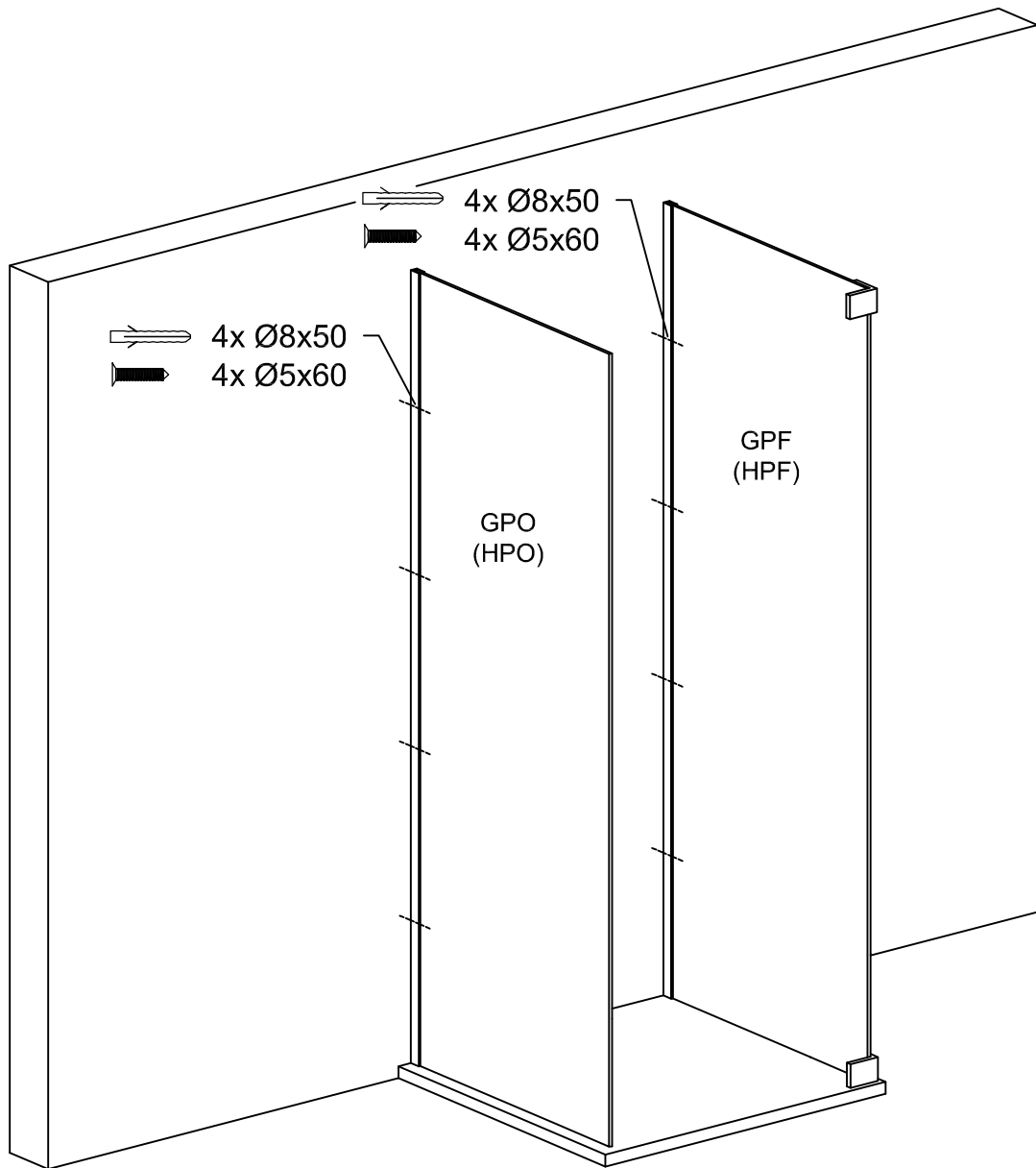
- H** = Glas - Höhe  
Glass height
- G1, G2** = Glasaußenkante (unterer Wert des Verstellbereichs)  
Outer edge of the glass (lower value of adjustment range)

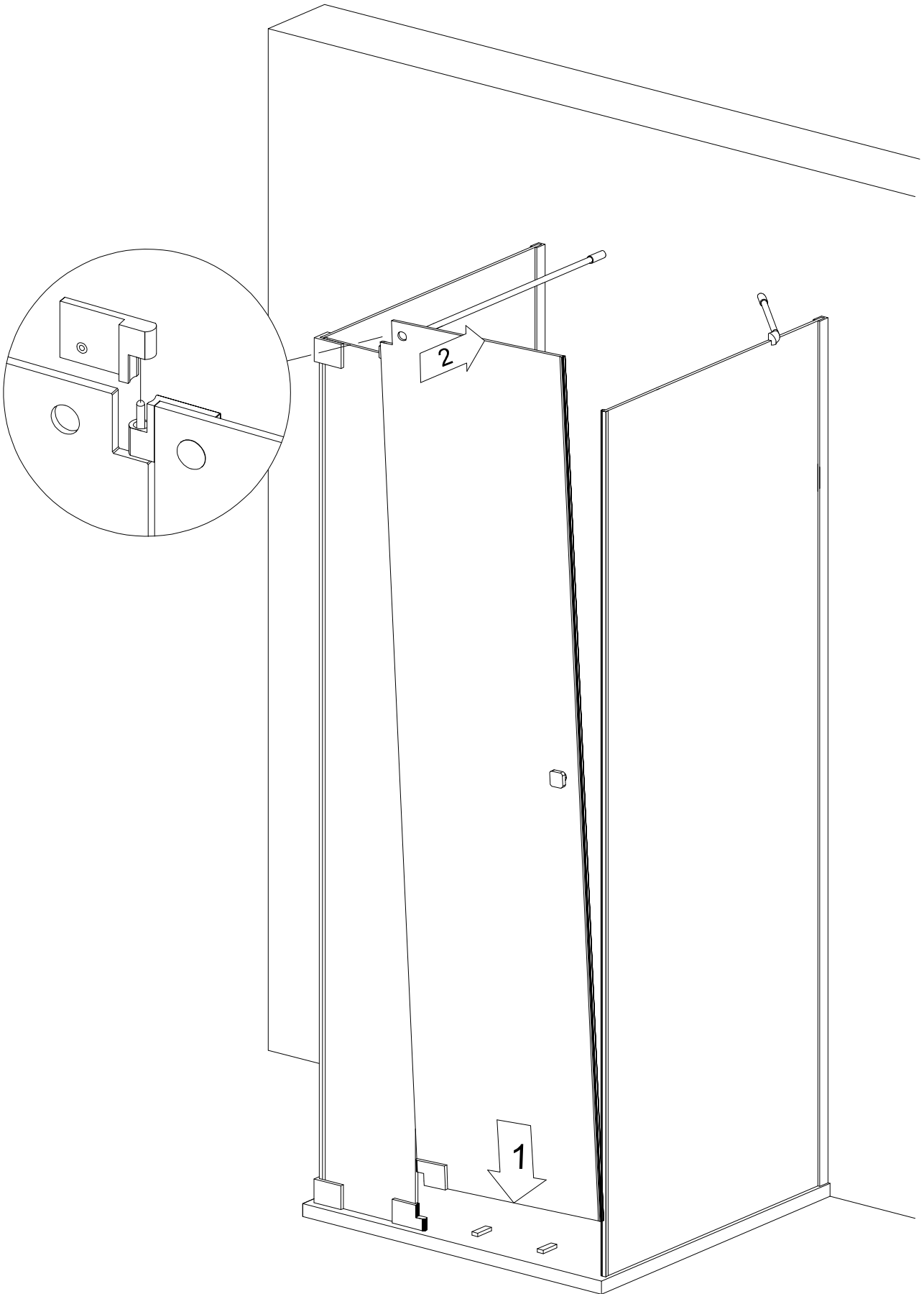
Die Zeichnungen sind **nicht** Maßstabsgetreu.  
The drawings are **not** to scale.

# Vormontage von Dichtprofilen und Beschlägen

## Pre-assembly of gaskets and fittings.







Wieder öffnen:  
Open again:  
Per riaprire:  
Ouvrir à nouveau:

